

Technical proposal for JX-CI-6G18G-13M Microstrip Isolator

◆ High Performance

◆ High Reliability

Revision History

Version	Date	Author	Revision description	Comment
V1.0	2023/06/09	Vivian	Created	/

Table of content

Technical proposal for JX-CI-6G18G-13M Microstrip Isolator	1
1. Mechanical layout	2
2. Electrical analysis	2

Figures

Figure 1 JX-CI-6G18G-13M front panel layout	2
---	---

Tables

Table 1 Mechanical specifications	2
Table 2 Electrical specifications	2

JING XIN MICROWAVE TECHNOLOGY CO.,LTD

E-mail: sales@cdjx-mw.com Web: <http://www.cdjx-mw.com>

TEL: +86-28-85026087 FAX: +86-28-65026087 ext.8033 Zip Code:610045

Add: No.65,West 1st Wu Ke Road, Wu Hou District, Cheng Du City, Si Chuan Province, China.

1. Mechanical layout

Table 1 Mechanical specifications

Dimension	12mm*9.7mm*6mm
Connector Type	Microstrip
Notes	Material shall be RoHS 6/6

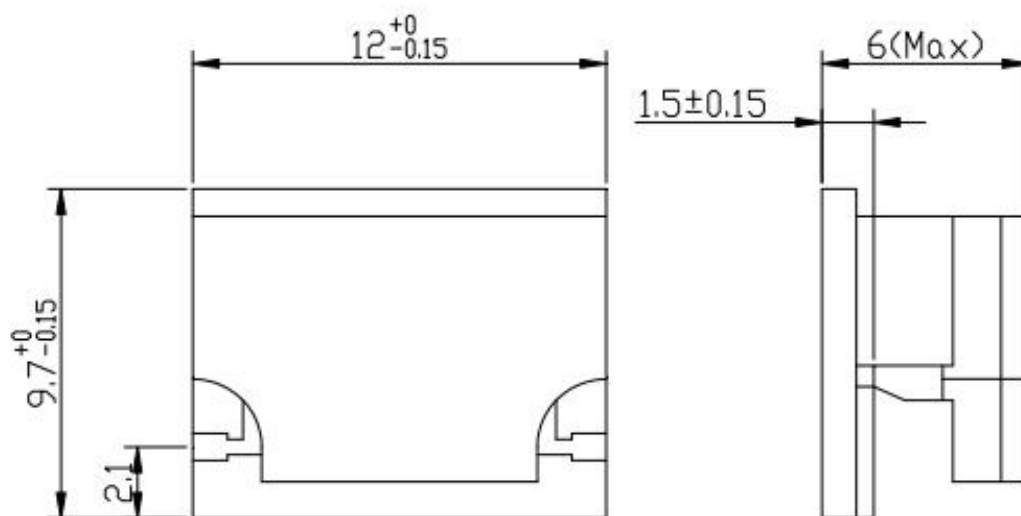


Figure 1 JX-CI-6G18G-13M front panel layout

2. Electrical analysis

Table 2 Electrical specifications

Item	Parameter	Specifications
1	Frequency Range	6.0-18.0GHz
2	Insertion Loss	1.3dB max 1.5dB max@Power test 20W
3	Isolation	13dB min 9dB min@ Power test 5W
4	VSWR	1.7 max
5	Forward Power	20W CW
6	Reverse Power	5W

JING XIN MICROWAVE TECHNOLOGY CO.,LTD

E-mail: sales@cdjx-mw.com Web: <http://www.cdjx-mw.com>

TEL: +86-28-85026087 FAX: +86-28-65026087 ext.8033 Zip Code:610045

Add: No.65,West 1st Wu Ke Road, Wu Hou District, Cheng Du City, Si Chuan Province, China.

**Professional manufacturer of
passive microwave components**

JX-CI-6G18G-13M_2023/06/09_Rev:V1.0



7	Temperature	-55°C to 85°C
---	-------------	---------------

JING XIN MICROWAVE TECHNOLOGY CO.,LTD

E-mail: sales@cdjx-mw.com Web: <http://www.cdjx-mw.com>

TEL: +86-28-85026087 FAX: +86-28-65026087 ext.8033 Zip Code:610045

Add: No.65,West 1st Wu Ke Road, Wu Hou District, Cheng Du City, Si Chuan Province, China.